

RA-55-40

Rotational stage for continuous and stepwise operating

Concept:

The high-precision rotational stage **RA-55-40** was developed for applications in research and development, laboratories and industrial use. Due to of the small dimensions the **RA-55-40** is well suited for applications where limited space is given.

Specials:

The **PSR-55** can be driven in both continuous operating and as stepper. Because of the special constructed drive the **RA-55-40** shows no backlash in both rotation directions.

With the control electronics all necessary parameters can be set up. These parameters are: position, velocity, acceleration and torque.

Assembling:

The **RA-55-40** can be fixed at a bottom plate via a M4 threaded hole raster at the bottom of the casing. In the moving platform there is also a M4 threaded hole raster to fix costumers elements.



image: RA-55-40 with controller MC-101-01

Characteristics:

- continuous motion
- max rotation speed 770°/s
- 32'768 steps per rotation \pm 40 arcsec
- no backlash

Options:

- home referencing

Applications:

- probe handling
- probe positioning
- research and development
- laboratories
- industry

RA-55-40

Technical data

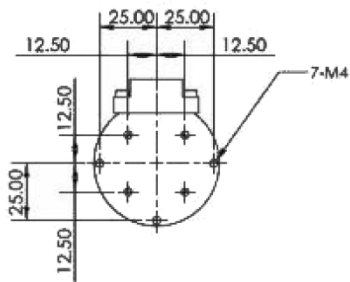
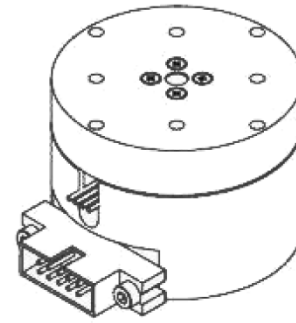
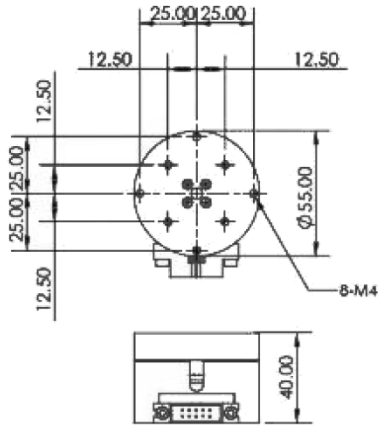
	unit	RA-55-40
part number	-	M-101-01
axis	-	rotation around Z
angle range	°	360
max. speed	°/s	770
resolution	° arc sec mrad	0.01 40 0.19
repeatability (bi-directional)	° arc sec mrad	0.01 40 0.19
positioning error	arc sec	±180
max. load**	kg	0.5
dimensions (Ø x H)	mm	55 x 40
weight	g	230***
motor voltage	V DC	9 ... 30
motor current	mA	200 / Phase
motor	-	Stepper motor (1.8°)
material		Aluminium
recommended electronics	-	MC-101-01

** center of gravity on rotation axis

*** actuator weight

RA-55-40

Drawings



Rights reserved to change specifications as progress occurs without notice!